

# TABLE TOP 8FT GRAPHIC PACKAGE

Graphic Package



## Product Features

All packages include:

- (1) Extruded Aluminum Frame
- (12) Channel Bars
- (2) 150 Watt Halogen Lights
- (2) Graphic End Panels
- (3) Graphic Center Panels
- (2) Nylon Carry Bags

Display Size	8'W x 5'H x 2'D
--------------	-----------------

## Graphic Finishing

Magnetic strips on the sides and hanging hardware on top and bottom

Material	12 Mil Titanium Blockout Film 10 Mil Polycarbonate Overlamine
----------	--

## Construction

Frame	Aluminum frame
Panels	Laminated panels w/magnetic strips
Bars	Aluminum channel bars w/magnetic strips
Bag	Nylon carry bags

## Weights - Dimensions

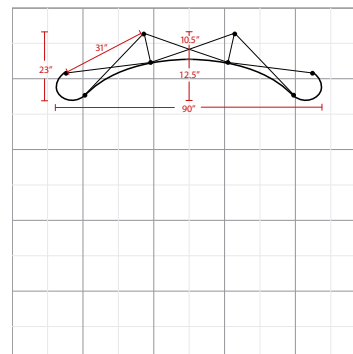
Shipping Weight	38 lbs
Shipping Dimensions	35" x 20" x 11"

## Parts List

(1) Aluminum frame	(1) Repair kit
(4) Black channel bars	(2) Carry bags
(8) Silver channel bars	(3) Graphic center panels
(2) 150w Halogen light	(2) Graphic end panels
(1) Channel bar bag	

## Graphic Specification

Graphic Size: 123.227" w x 59.646" h



The box represents 10'x10' booth.

# TABLE TOP 8FT CENTER PACKAGE

## Center Package



## Fabric End Panel Color Options

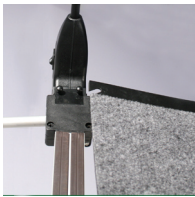
**Coal**  
PMS Black c



**Imperial**  
PMS 281c



**Silver**  
PMS 423c



## Product Features

All packages include:

- (1) Extruded Aluminum Frame
- (12) Channel Bars
- (2) 150 Watt Halogen Lights
- (2) Velcro Receptive Fabric End Panels
- (3) Graphic Center Panels
- (2) Nylon Carry Bags

Display Size 8'W x 5'H x 2'D

## Graphic Finishing

Magnetic strips on the sides and hanging hardware on top and bottom

Material 12 Mil Titanium Blockout Film  
10 Mil Polycarbonate Overlamine

## Construction

Frame Aluminum frame  
Panels Laminated panels and Velcro receptive fabric panels w/magnetic strips  
Bars Aluminum channel bars w/magnetic strips  
Bag Nylon carry bags

## Weights - Dimensions

Shipping Weight 38 lbs

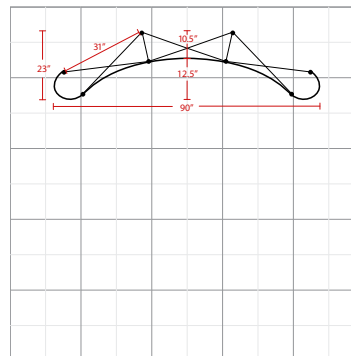
Shipping Dimensions 35" x 20" x 11"

## Parts List

(1) Aluminum frame	(1) Repair kit
(4) Black channel bars	(2) Carry bags
(8) Silver channel bars	(3) Graphic center panels
(2) 150w Halogen light	(2) Fabric end panels
(1) Channel bar bag	

## Graphic Specification

Graphic Size: 81.495" w x 59.646" h



The box represents 10'x10' booth.

# TABLE TOP 8FT FABRIC PACKAGE

Fabric Package



Fabric Panel Color Options

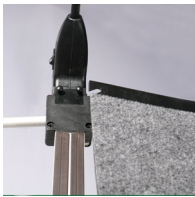
**Coal**  
PMS Black c



**Imperial**  
PMS 281 c



**Silver**  
PMS 423c



## Product Features

All packages include:

- (1) Extruded Aluminum Frame
- (12) Channel Bars
- (2) 150 Watt Halogen Lights
- (2) Velcro Receptive Fabric End Panels
- (3) Velcro Receptive Fabric Center Panels
- (2) Nylon Carrying Bags

Display Size	8'W x 5'H x 2'D
--------------	-----------------

## Finishing

Magnetic strips on the sides and hanging hardware on top and bottom

Material	Velcro receptive fabric
----------	-------------------------

## Construction

Frame	Aluminum frame
-------	----------------

Panels	Velcro receptive fabric panels w/magnetic strips
--------	--

Bars	Aluminum channel bars w/magnetic strips
------	---

Bag	Nylon carry bags
-----	------------------

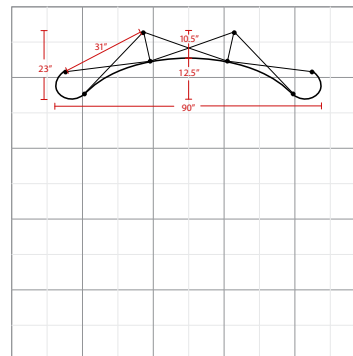
## Weights - Dimensions

Shipping Weight	38 lbs
-----------------	--------

Shipping Dimensions	35" x 20" x 11"
---------------------	-----------------

## Parts List

(1) Aluminum frame	(1) Repair kit
(4) Black channel bars	(2) Carry bags
(8) Silver channel bars	(3) Fabric center panels
(2) 150w Halogen light	(2) Fabric end panels
(1) Channel bar bag	



The box represents 10'x10' booth.

# TABLE TOP 6FT GRAPHIC PACKAGE

## Graphic Package



### Product Features

All packages include:

- (1) Extruded Aluminum Frame
- (10) Channel Bars
- (1) 150 Watt Halogen Light
- (2) Graphic End Panels
- (2) Graphic Center Panels
- (2) Nylon Carrying Cases

Display Size 6'W x 5'H x 1.5'D

### Graphic Finishing

Magnetic strips on the sides and hanging hardware on top and bottom

Material 12 Mil Titanium Blockout Film  
10 Mil Polycarbonate Overlamine

### Construction

Frame Aluminum frame  
Panels Laminated panels w/magnetic strips  
Bars Aluminum channel bars w/magnetic strips  
Bag Nylon carry bags

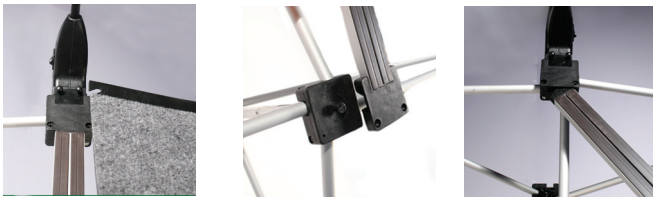
### Weights - Dimensions

Shipping Weight 38 lbs

Shipping Dimensions 35" x 20" x 11"

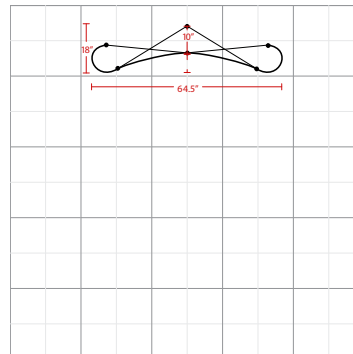
### Parts List

(1) Aluminum frame	(1) Repair kit
(4) Black channel bars	(2) Carry bags
(6) Silver channel bars	(2) Graphic center panels
(1) 150w Halogen light	(2) Graphic end panels
(1) Channel bar bag	



### Graphic Specification

Graphic Size: 96.05"w x 59.646"h



The box represents 10'x10' booth.

# TABLE TOP 6FT CENTER PACKAGE

## Center Package



## Fabric End Panel Color Options

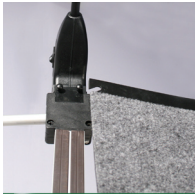
**Coal**  
PMS Black c



**Imperial**  
PMS 281c



**Silver**  
PMS 423c



## Product Features

All packages include:

- (1) Extruded Aluminum Frame
- (10) Channel Bars
- (1) 150 Watt Halogen Light
- (2) Velcro Receptive Fabric End Panels
- (2) Graphic Center Panels
- (2) Nylon Carrying Cases

Display Height 6'W x 5'H x 1.5'D

## Graphic Finishing

Magnetic strips on the sides and hanging hardware on top and bottom

Material 12 Mil Titanium Blockout Film  
10 Mil Polycarbonate Overlamine

## Construction

Frame Aluminum frame  
Panels Laminated panels and Velcro receptive fabric panels w/magnetic strips  
Bars Aluminum channel bars w/magnetic strips  
Bag Nylon carry bags

## Weights - Dimensions

Shipping Weight 38 lbs

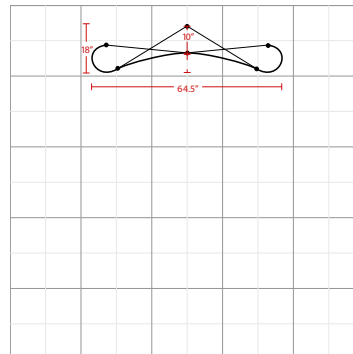
Shipping Dimensions 35" x 20" x 11"

## Parts List

(1) Aluminum frame	(1) Repair kit
(4) Black channel bars	(2) Carry bags
(6) Silver channel bars	(2) Graphic center panels
(1) 150w Halogen light	(2) Fabric end panels
(1) Channel bar bag	

## Graphic Specification

Graphic Size: 54.33"w x 59.646"h



The box represents 10'x10' booth.

# TABLE TOP 6FT FABRIC PACKAGE

Fabric Package



Fabric Panel Color Options

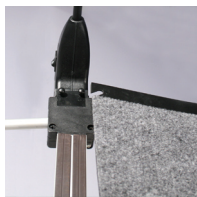
**Coal**  
PMS Black c



**Imperial**  
PMS 281c



**Silver**  
PMS 423c



## Product Features

All packages include:

- (1) Extruded Aluminum Frame
- (10) Channel Bars
- (1) 150 Watt Halogen Light
- (2) Velcro Receptive Fabric End Panels
- (2) Velcro Receptive Fabric Center Panels
- (2) Nylon Carrying Cases

Display Sizer	6'W x 5'H x 1.5'D
---------------	-------------------

## Finishing

Magnetic strips on the sides and hanging hardware on top and bottom

Material	Velcro receptive fabric
----------	-------------------------

## Construction

Frame	Aluminum frame
-------	----------------

Panels	Velcro receptive fabric panels w/magnetic strips
--------	--

Bars	Aluminum channel bars w/magnetic strips
------	---

Bag	Nylon carry bags
-----	------------------

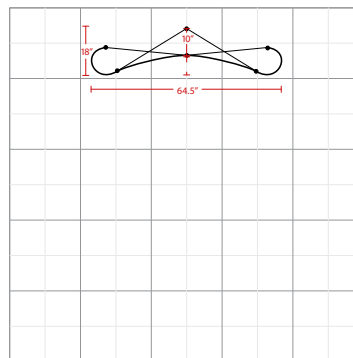
## Weights - Dimensions

Shipping Weight	35 lbs
-----------------	--------

Shipping Dimensions	35" x 20" x 11"
---------------------	-----------------

## Parts List

(1) Aluminum frame	(1) Repair kit
(4) Black channel bars	(2) Carry bags
(6) Silver channel bars	(2) Fabric center panels
(1) 150w Halogen light	(2) Fabric end panels
(1) Channel bar bag	



The box represents 10'x10' booth.